



# VSSI-SERIES SQUARE IN-LINE FAN

## Product & System Overview

### Description:

VSSI-Series Variable Speed Square In-line Fans are suitable for providing combustion air and/or ventilation.

Use with the CPC-3 Constant Pressure Controller, closed-loop VFD, and TD-Series Pressure Transducer for an automatic-variable speed system which will modulate to always deliver the perfect amount of combustion air or ventilation. For an adjustable-fixed speed system, use an open-loop VFD to manually adjust the speed of the VSSI.

### Housing Construction:

Constructed of heavy-gauge galvanized steel. Removable side panels provide access to motor assembly without removal of the duct connections.

### Impeller Construction:

Backward inclined, non-overloading, aluminum wheel that is statically and dynamically balanced.

### Motor:

Three phase, 208-230/460 VAC, TEFC, E-PLUS 3, Inverter Duty Rated.

### Standard Equipment:

- Motor Cover
- Vibration Isolators - Floor Mount, Neoprene
- Disconnect Switch - Unfused (NEMA 1), Shipped Loose
- PSA-1 Fan Proving Switch

### Optional Equipment:

- CPC-3 Constant Pressure Controller
- IPS-1 Indoor Pressure Sensor with Decorative Cover Fitting
- TD-Series Pressure Transducer
- VFD-Series Variable Frequency Drive
- FFP-1 Fire and Freeze Protection Limit

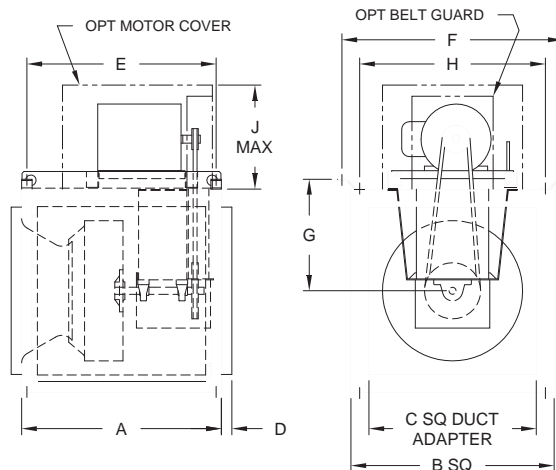
### Listings:

UL 705 - Power Venters

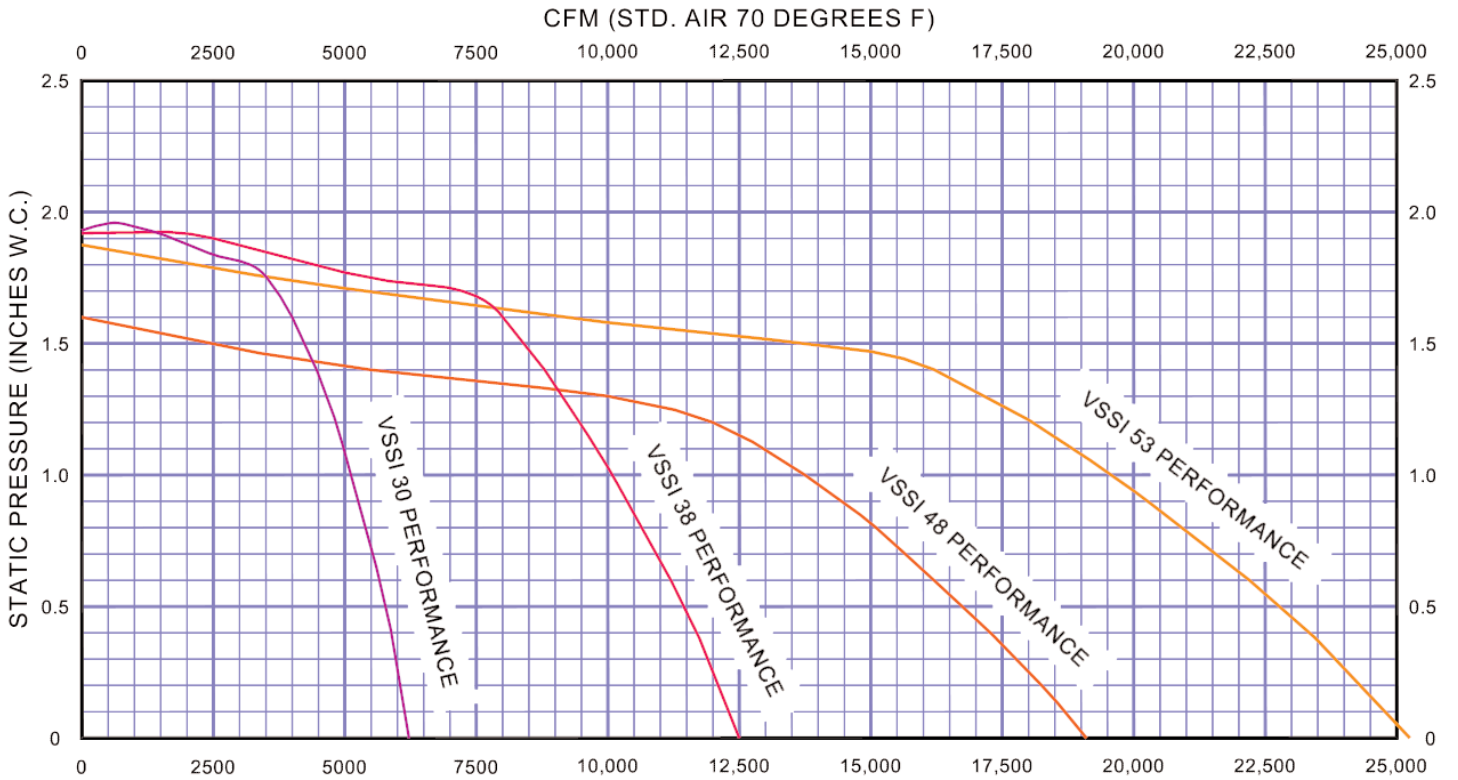
### Temperature Rating:

120° F / 49° C

VSSI SERIES	VSSI30	VSSI38	VSSI48	VSSI53
Fan Type	Centrifugal	Centrifugal	Centrifugal	Centrifugal
Voltage	3x230 / 3x460	3x230 / 3x460	3x230 / 3x460	3x230 / 3x460
Amps	5.97 / 2.70	13.71 / 6.20	13.71 / 6.20	19.68 / 8.90
RPM	1140	900	550	535
Power Rating	2 HP	5 HP	5 HP	7½ HP
Dimension A	32.00"	39.00"	48.50"	52.00"
Dimension B	32.34"	40.13"	50.13"	55.25"
Dimension C	27.88"	35.88"	45.88"	51.88"
Dimension D	1.50"	1.50"	1.50"	1.50"
Dimension E	30.50"	37.50"	46.50"	50.00"
Dimension F	35.06"	43.00"	52.94"	58.19"
Dimension G	17.54"	21.45"	26.44"	29.09"
Dimension H	30.00"	37.88"	47.88"	53.13"
Dimension J	16.25"	18.50"	20.00"	20.00"
Damper Size	28.00" x 28.00"	36.00" X 36.00"	46.00" X 46.00"	52.00" X 52.00"
Avg. Ship Wt.	223 Lbs	394 Lbs	665 Lbs	743 Lbs
Side Discharge Size	27.88" x 27.88"	29.88" X 33.88"	32.88" X 41.88"	34.88" X 46.88"



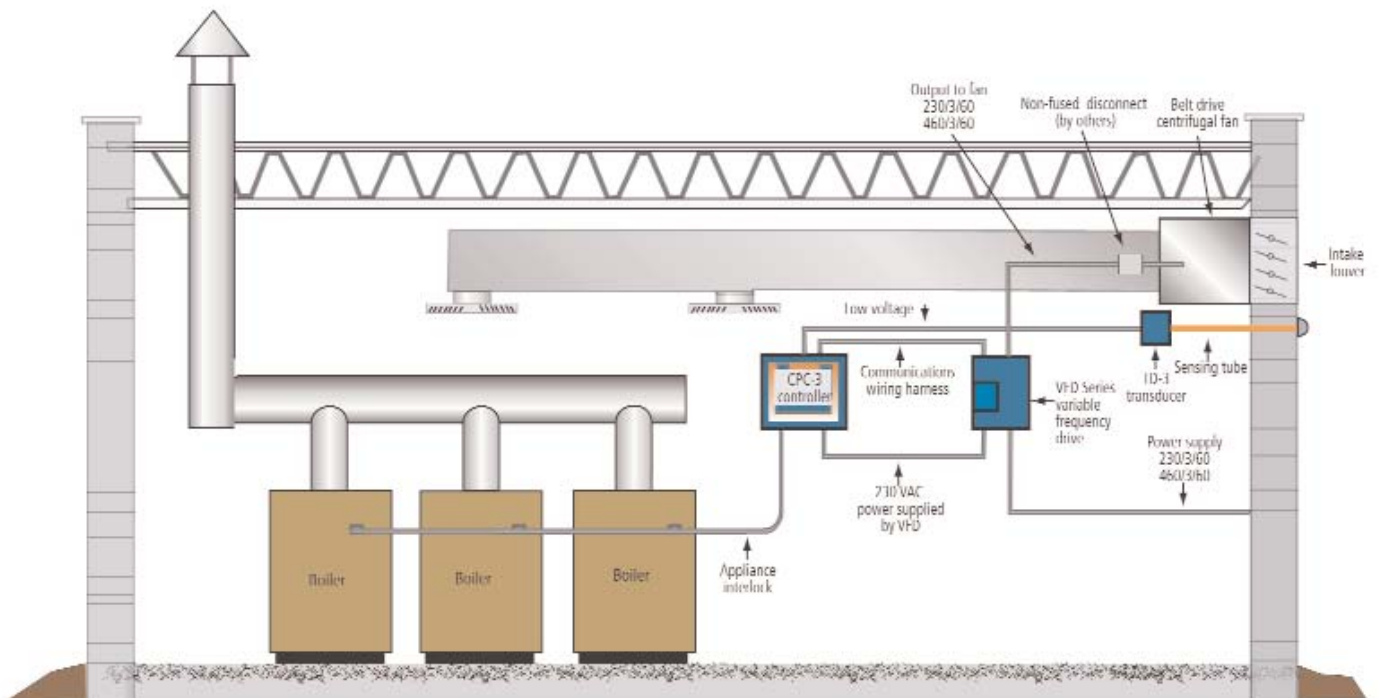
# VSSI-SERIES FAN CURVES



## RECOMMENDED LAYOUT DIAGRAMS



### Mechanical Combustion Air with VSSI-Series Blower



# RECOMMENDED LAYOUT DIAGRAMS (Continued)



## Sealed Mechanical Combustion Air with VSSI Series Blower

