



# TJERNLUND PRODUCTS, INC.

1601 Ninth Street • White Bear Lake, MN 55110-6794  
PHONE (800) 255-4208 • (651) 426-2993 • FAX (651) 426-9547  
Visit our web site • www.tjernlund.com

## SS2 REPLACEMENT MOTOR KIT INSTRUCTIONS

### WARNING

Disconnect power supply before making wiring connections to prevent electrical shock and equipment damage.

1. Disconnect and label all supply and control voltage electrical connections to SS2 electrical box. Cut the crimp nuts which contain the Black and White motor leads in SS2 electrical box.
2. Remove vent pipe and SS2 inlet pipe by twisting counter clockwise, (See Diagram A).
3. Remove (9) screws from rear and bottom of vent cabinet, (See Diagram B).
4. Slide venter assembly out of SS2 cabinet and set assembly on its side on a flat working surface, (See Diagram B).
5. Remove (8) nuts from inlet assembly. Remove the flexible tubing from fan proving switch and carefully pull inlet assembly away from venter housing, (See Diagram C).
6. Loosen impeller set screw by using 1/8" Allen Wrench. If impeller is hard to remove or stuck in place use penetrating oil. **NOTE: DO NOT PULL ON IMPELLER BLADES THIS COULD CAUSE DAMAGE. PULL ONLY FROM THE IMPELLER HUB.**
7. Remove (2) nuts for limit and motor wire routing clips. Remove (6) nuts that hold venter housing to the heat shield. **NOTE: Save nuts, spacers, and wire routing clips for reassembly.**
8. Rotate venter housing so motor mounting nuts are accessible, (See Diagram D). **NOTE: Be careful not to bend draft adjustment linkage.**
9. Loosen and remove (4) nuts holding motor to heat shield. **NOTE: Save nuts and spacers for reassembly. Pull motor wires out of electrical box and remove motor from housing.**
10. Install new motor with (4) nuts removed in step 9 and fish motor leads through SS2 electrical box.
11. Make sure spacers are on venter housing. Hand tighten (6) nuts which hold venter housing to heat shield. Insert alignment tool over the motor shaft through venter housing and heat shield, (See Diagram E). Firmly tighten (6) nuts which hold venter housing to heat shield and remove alignment tool. Replace (2) nuts which hold wire routing clips for limit and motor leads.
12. Slide venter assembly into vent cabinet and reinstall (9) screws.
13. **MODEL SS2**  
Connect the Black motor lead to the Black wire from cooling fan and Black wire from terminal M on SS2 terminal strip. Connect the White motor lead to the White wire from cooling fan and L2 on SS2 terminal strip. Reconnect supply and control voltage wires disconnected in step 1 and reestablish power.

### **MODEL SS2G**

Connect the Black motor lead to the Black wire from cooling fan and Black wire from terminal M on SS2 Relay/Timer. Connect the White motor lead to the White wire from cooling fan and L2 on SS2 Relay/Timer. Reconnect supply and control voltage wires disconnected in step 1 and reestablish power.

### WARNING

Before proceeding, Recheck over fire draft, adjust to a minimum of -.02" W.C. Refer to SS2 Draft Adjustment Procedure in SS2 instruction manual for further detailed information.

13. Run SS2 & appliance through a couple of heating cycles to verify proper operation.

DIAGRAM A

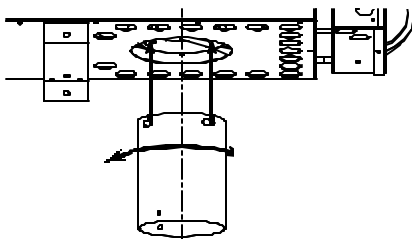


DIAGRAM B

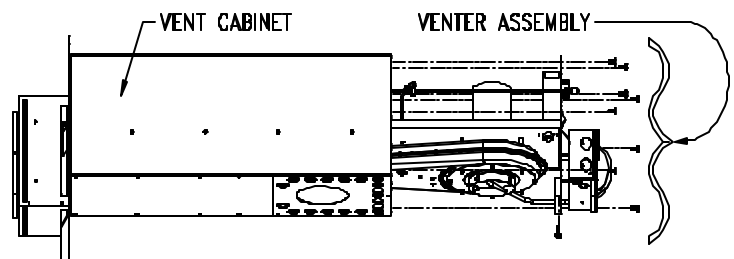


DIAGRAM C

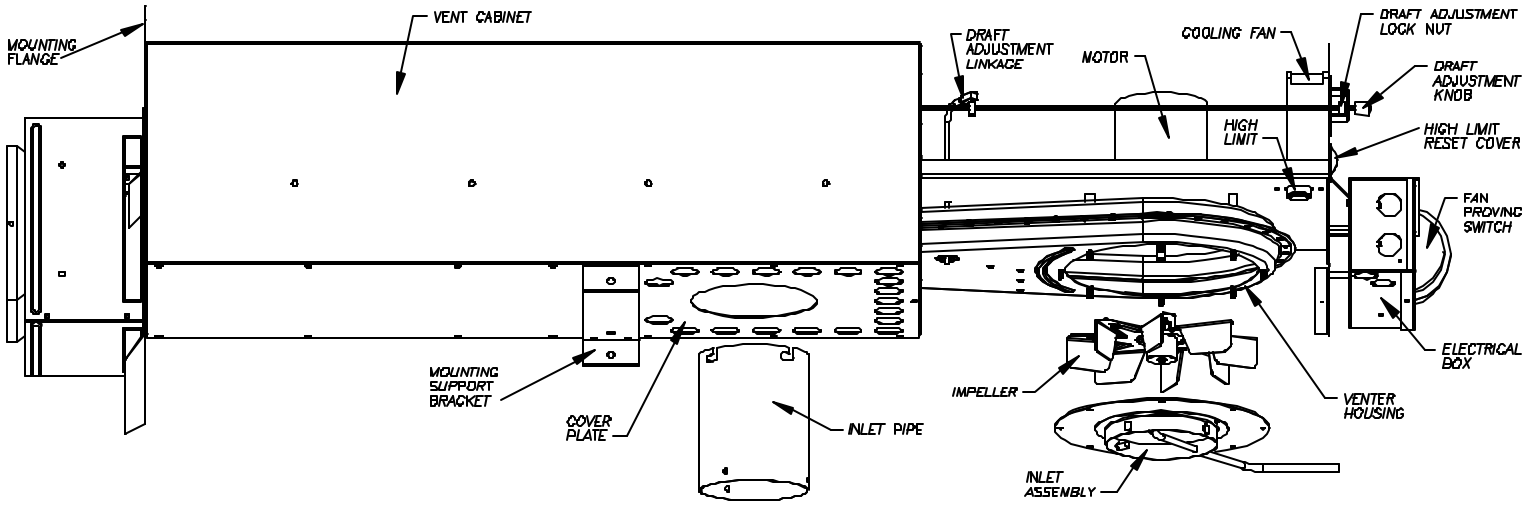


DIAGRAM D

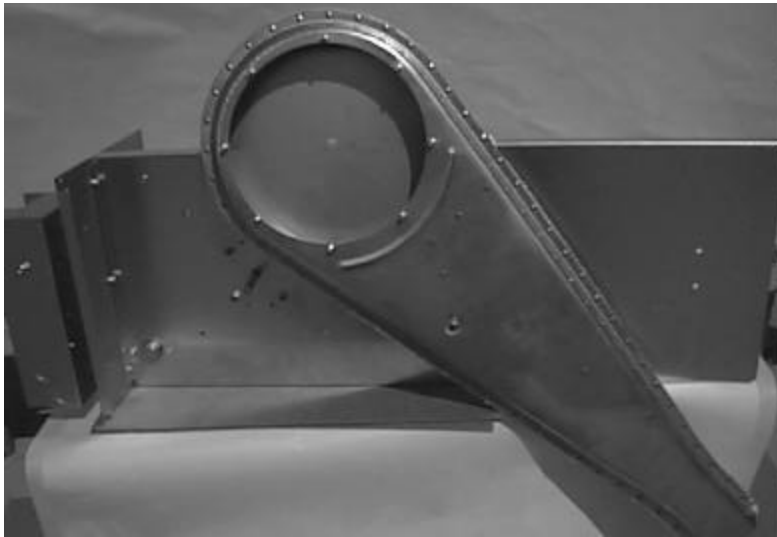


DIAGRAM E

