



Submittal Data Sheet

VSVS6000 Variable Speed Ventilator

Job Name: _____

Equipment Rep: _____

Contractor: _____

Prepared By: _____

Arch./Engr.: _____

Date: _____

Description:

VSVS-Series Variable Speed Ventilator that is suitable for Dryer venting, Combustion air and/or ventilation.

Use with the MPC-Series Modulating Pressure Controllers, VFD and Pressure Sensor for an automatic-variable speed system which will modulate to always deliver the perfect amount of Dryer Exhaust, Combustion Air or Ventilation.

Housing Construction:

Continuously welded, Heavy-gauge, coated with a polyester powdercoat.

Impeller:

24.5" Non-overloading, aluminum wheel statically and dynamically balanced.

Motor:

Three phase, 3HP, 3x208-230/460 VAC, TEFC, E-PLUS®3, Inverter Duty Rated

Performance:

CFM 6,000
S.P. 2.0" W.C.

Standard Equipment:

- Motor Cover
- Square to Round Transition

Optional Controls & Equipment:

- MPC Modulating Pressure Controller
- IPS-1 Indoor Pressure Sensor with Decorative Cover
- VFD-Series Variable Frequency Drives
- FFP-1 Freeze and Fire Protection Limit (FFP-1 For combustion air applications only!)

Sound Levels in Db:

Octave Bands	1	2	3	4	5	6	7	8	LwA
Level at Inlet	88	86	84	82	79	74	67	60	84

Weight:

572 Lbs

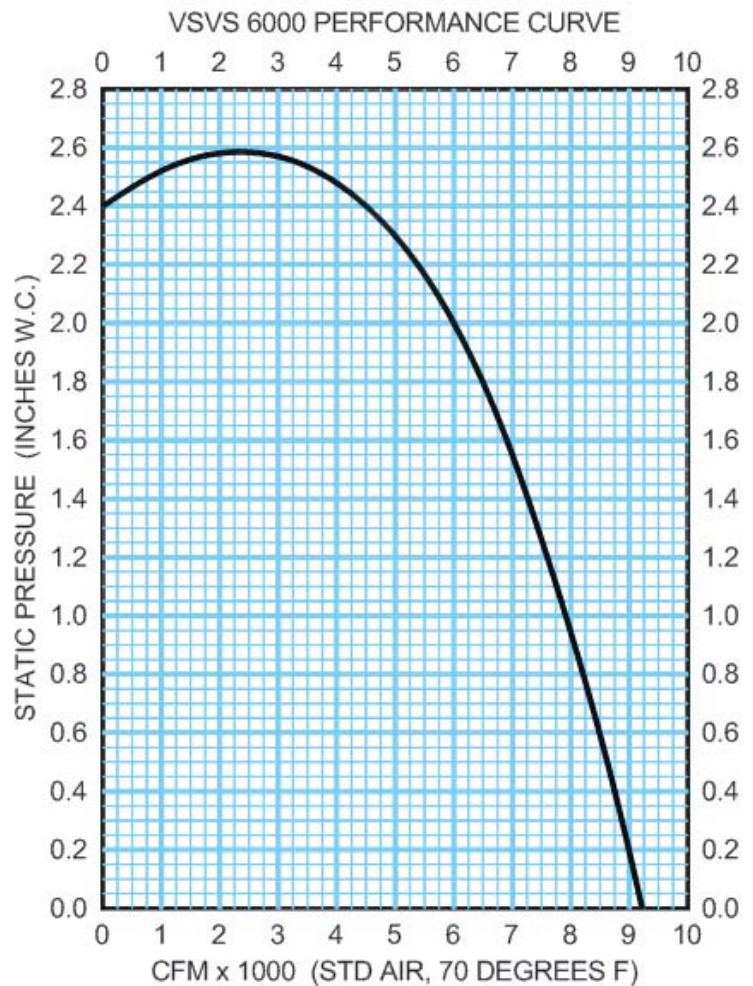
Listings:

- UL 705 - Power Ventilators
- UL 762 - Power Roof Ventilators for Restaurant Exhaust



Warranty:

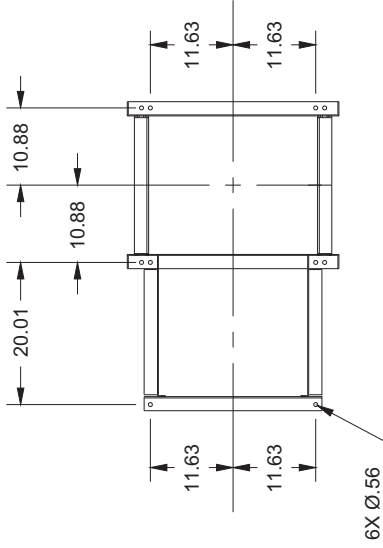
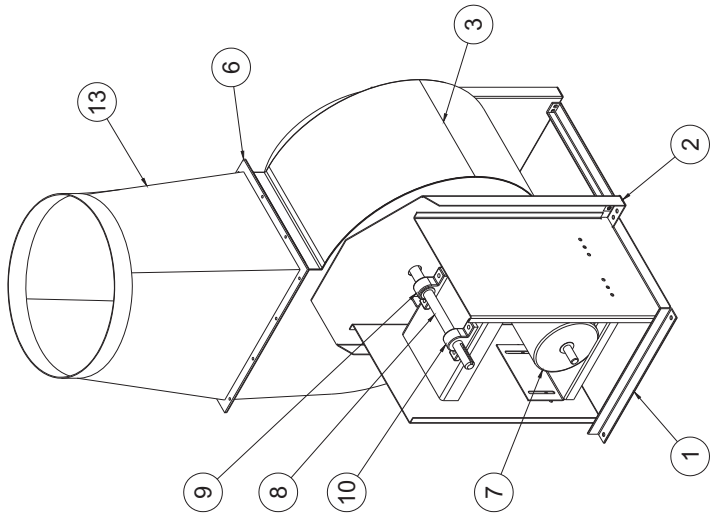
1 year mechanical



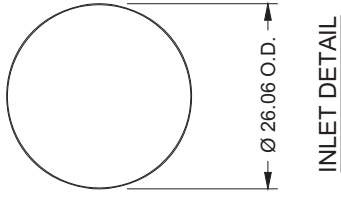
- 1 PEDESTAL
- 2 DRIVE STAND
- 3 HOUSING ASSEMBLY
- 4 INLET CONE
- 5 INLET RING

- 6 OUTLET FLANGE
- 7 MOTOR
- 8 SHAFT
- 9 BEARING
- 10 BEARING

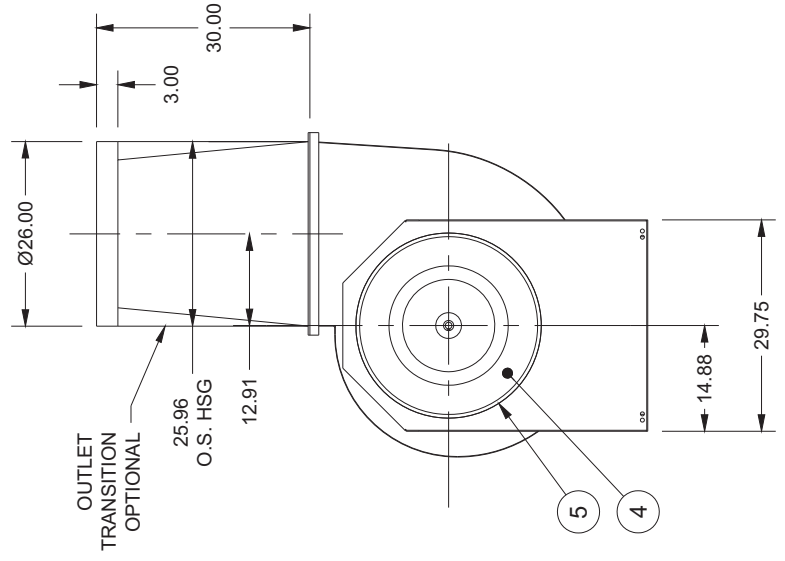
- 11 WHEEL (NOT SHOWN)
- 12 HUB (NOT SHOWN)
- 13 OUTLET TRANSITION



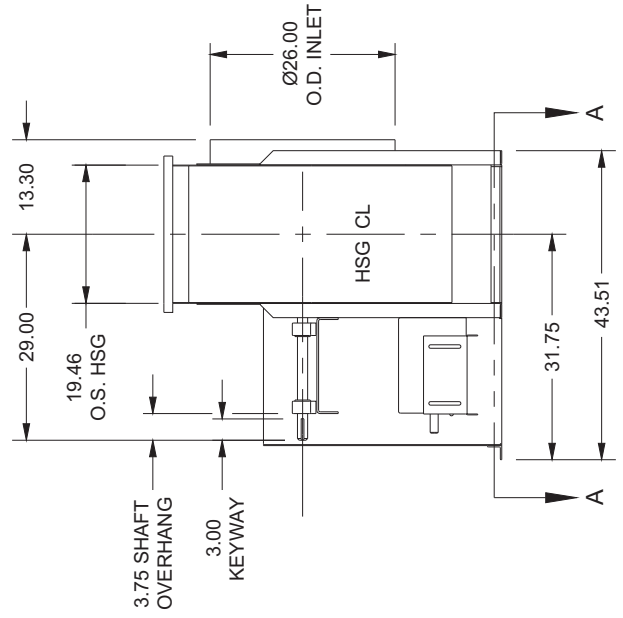
FOUNDATION PLAN - TOP VIEW
SECTION A-A



INLET DETAIL



INLET SIDE VIEW



DRIVE SIDE VIEW

